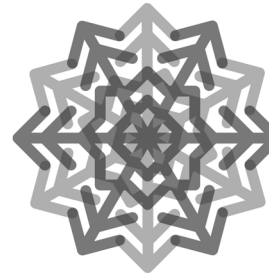


Jesus answered Pilate ...

First write all of the 1's in order on the lines.
Then, return to the beginning and write all of the 2's.
Then, return to the beginning again and write all of the 3's.

You 1	fact 2	I 3	are 1	for 2	came 3	right 1	this 2	into 3	in 1
reason 2	the 3	saying 1	I 2	world 3	I 1	was 2	to 3	am 1	born 2
testify 3	a 1	and 2	to 3	King 1	for 2	the 3	In 1	this 2	truth. 3

“ _____
_____, _____
_____, _____
_____”

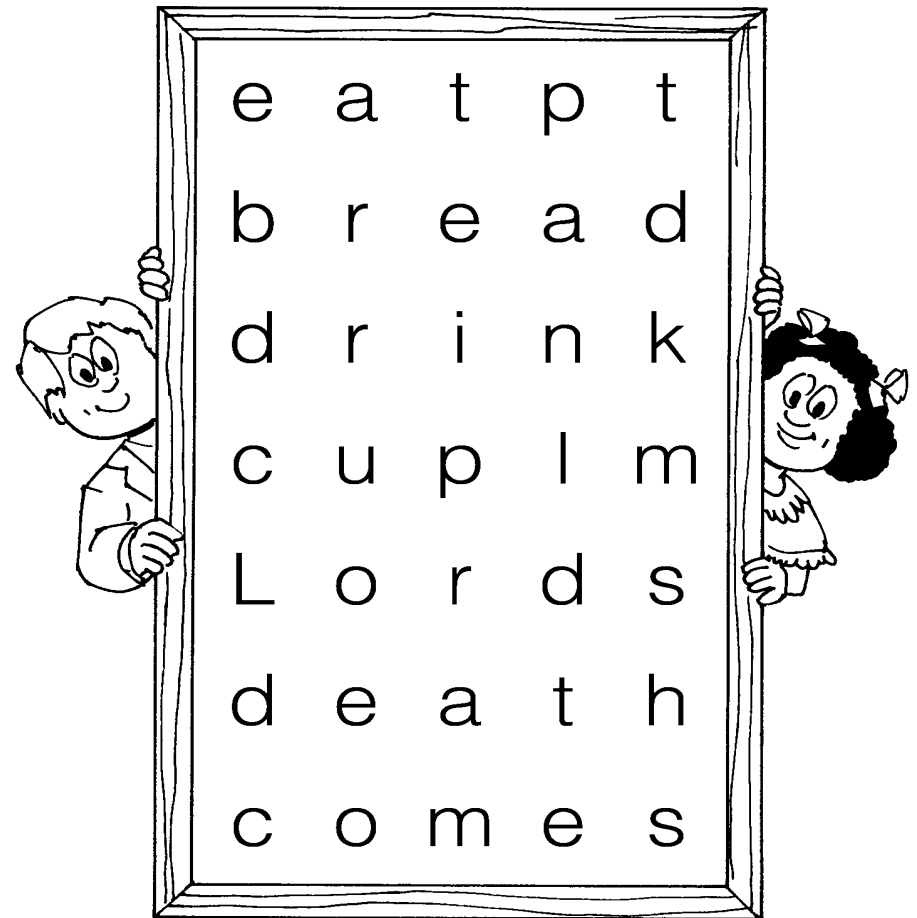


CHILDREN'S BULLETIN

January 16, 2022

Whenever you **eat** this **bread** and **drink** this **cup**, you proclaim the **Lord's death** until He **comes**.

Find the words in the word search below.



Use the code to find these words of Jesus.

A B C D E F G H I J K L M N O P Q R S T U V W X Y Z
 1 2 3 4 5 6 7 8 9 10 11 12 13 14 15 16 17 18 19 20 21 22 23 24 25 26

“
 13 25 11 9 14 7 4 15 13 9 19

14 15 20 15 6 20 8 9 19

23 15 18 12 4 ... 13 25

11 9 14 7 4 15 13

9 19 6 18 15 13

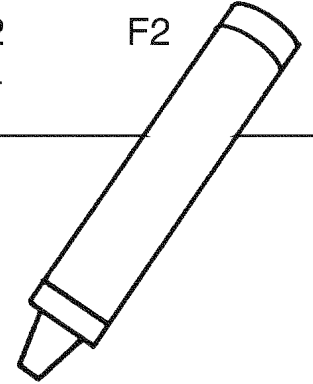
1 14 15 20 8 5 18

16 12 1 3 5”



Color these spaces to find what Pilate said to Jesus.

A1 E1 F1 D2 F2
 A3 B3 A4 F4



1	B	Y	O	U	O	Y
2	A	R	E	T	A	S
3	J	O	K	I	N	G
4	B	T	H	E	N	T
	A	B	C	D	E	F



**Blessings
 on your
 Birthday!**

Cordelia Castillo - January 17
 Noa Vander Schaaf - January 17
 R J Vander Helm - January 18
 Shelby Koolhaas - January 19
 Evan Klein - January 19